
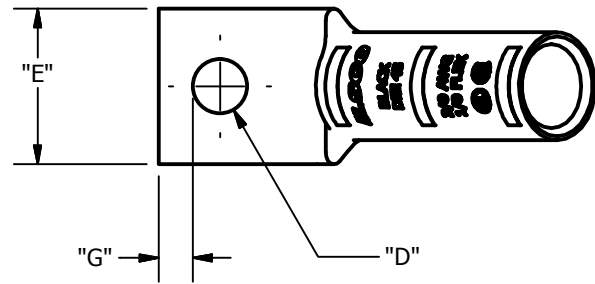
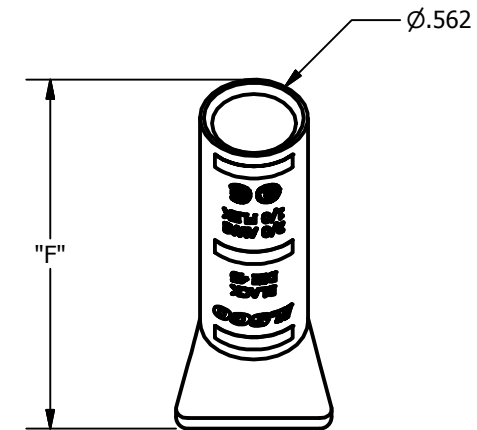
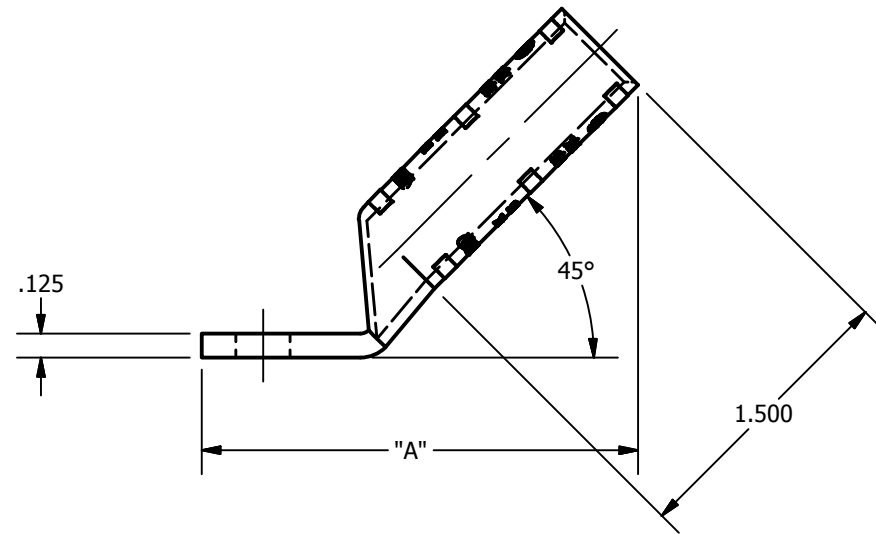


SCREW: NONE	MATERIAL: COPPER	REV: F	 800-776-9775 www.ilSCO.com
CAT. NO.: SEE CHART	PLATING: EL-TIN	DRAWN BY:DW SCALE: NTS	
INFORMATION SHEET:FORM 157	MARKING: SEE CHART	DATE:6/3/2008 SIZE: B	
			DWG NO: Y0803-S-4
			SHEET: 1 OF 1



DETAIL C  
INK MARK TOP & BOTTOM



CATALOG NUMBER	"A"	"D"	"E"	"F"	"G"	TANG MARKING
CLNB-2/0-10-4	2.043	0.219	0.811	1.831	0.148	
CLNB-2/0-14-4	2.356	0.281	0.811	1.831	0.180	
CLNB-2/0-12-4	2.731	0.562	0.811	1.831	0.265	ILSCO, CLNB-2/0-12-4, 2/0 AWG, 1/0 FLEX, DIE 45, UL, CSA
CLNB-2/0-58-4	2.918	0.656	TBD	1.831	0.343	
CLNB-2/0-34-4	3.168	0.781	0.969	1.831	0.359	
CLNB-2/0-38-4	2.356	0.406	0.811	1.831	0.211	ILSCO, CLNB-2/0-38-4, 2/0 AWG, 1/0 FLEX, DIE 45, UL, CSA
CLNB-2/0-516-4	2.356	0.343	0.811	1.831	0.180	
CLNB-2/0-M12-4	2.731	0.472	0.811	1.831	0.310	UL, ILSCO, CSA, CLNB-2/0-M12-4, 2/0 AWG, 1/0 FLEX, DIE 45